

USER MANUAL
MANUAL DE INSTRUCCIONES
NOTICE D'EMPLOI
BEDIENUNGSANLEITUNG

XLA500
XLA1000
XLA1600

 **wecler**

INSTRUCTION MANUAL

1. IMPORTANT NOTE	04
1.1. Precautions	04
2. INTRODUCTION	04
2.1. Main features	04
3. INSTALLATION	05
3.1. Placement, mounting, cooling	05
3.2. Mains connection	05
3.3. Input signal connections	05
3.4. Cut filter or crossover	05
3.5. Limiter circuit	06
3.6. Output connections	06
4. OPERATION AND USAGE	06
4.1. Start up	06
4.2. Input attenuators	06
4.3. Indicators	07
5. CLEANING	07
6. DIAGRAMS	23
6.1. Connection diagram	23
6.2. Technical characteristics	24
6.3. Block diagram	25
6.4. Function list	26
6.5. Function diagram	27



All numbers subject to variation due to production tolerances. ECLER S.A. reserves the right to make changes or improvements in manufacturing or design which may affect specifications.

1. IMPORTANT NOTE

Congratulations! You are the owner of a carefully designed and manufactured equipment. We thank you for trusting on us and choosing our amplifier XLA.

In order to obtain maximum operativity and perfect functioning order, it is most important to carefully read all considerations taken into account in this manual before connecting this amplifier.

We recommend our authorised Technical Services if any maintenance task should be needed so that optimum operation shall be achieved.

1.1. Precautions



The amplifier should have an earth connection in good conditions (earth resistance, $R_g=30\Omega$ or less).

The environment must be dry and dustless.

Do not expose the unit to rain or water splashes, and do not place liquid containers or incandescent objects like candles on top of the unit.

Do not obstruct the ventilation shafts with any kind of material.

In case there is some type of intervention and/or connection-disconnection of the amplifier, it is most important to previously disconnect the mains power supply.

Do not manipulate the output terminals to the loudspeakers when the amplifier is switched on, there are voltages up to 200Vpp.

The output cabling should be connected by a qualified technician. Otherwise only use pre-made flexible cables.

There are no user or serviceable parts inside the amplifier.

2. INTRODUCTION

The XLA range of amplifiers offers the classical and acknowledged professional reliability of Ecler amplifiers with a new aesthetic style and at an affordable price. The range consists of 3 stereo models of 320, 500 and 760W RMS per channel over 4Ω . All models are 2 rack units high and are based on a robust chassis. Thanks to their oversize power supply, the amplifiers can work comfortably at loads of 4Ω .

The XLAs include balanced inputs via XLR3 connectors and a $\frac{1}{4}$ " jack, and non-balanced inputs via RCA connectors. Their outputs offer complete versatility, thanks to the dual format used: connectors of the safety terminal type with a normalized distance and Speakon[®] connectors. They also include an electronic limiter system to prevent clipping due to signal saturation, and a practical cut filter or switchable crossover, which permits a single amplifier to provide the low and high signals of a two-way mono loudspeaker system (with one XLA amplifier on each channel for a stereo configuration).

2.1. Main features:

- Efficient system of progressive ventilation with a flow adaptable to the internal temperature of the amplifier. Air is taken in at the rear and throws it out at the front panel
- The rotary input attenuation controls are easily accessible on the front panel.
- Indicators for power-on and standby indicators (POWER ON, STBY), signal presence (SIGNAL), clipping (CLIP), operating mode (BRIDGE), crossover activation (XOVER) and activation of protections (PROTECT).
- Efficient system of protections against short-circuits, overheating and the presence of a continuous signal, to prevent damage to the amplifier itself and/or to the loudspeakers connected to it.
- Integrated anticlip circuit (clipping or saturation of the signal) which is permanently activated.
- Operating mode selector: STEREO, PARALLEL and BRIDGE.
- Input sensitivity selector.
- Symmetrical inputs via XLR3 connectors, and $\frac{1}{4}$ " jack type. Asymmetrical inputs via RCA connectors.
- Outputs amplified with terminal-type connectors and Speakon[®] connectors.
- Operation at 8 and 4Ω , or 8Ω in bridge mode.
- Warranty: 2 years.

3. INSTALLATION

3.1. Placement, mounting, cooling

All XLA amplifier models are presented in standard 19" rack format and are 2 units high.

It is important that the amplifier, as a heat source, is not placed next to other equipment nor exposed to high temperatures. Therefore, the ventilation path should be kept free to allow fresh air entering the forced ventilation tunnel. This system takes air from the unit's backside, bringing it directly to the power amp modules and distributing it to the transformer and capacitors and then obliging it to pass through the cooling tunnel to finally blow out of the front panel. In case of rack mounting, this system avoids heat accumulation inside the unit and thus increases lifetime of electrolytic capacitors. It is recommended to place power amplifiers on top of other equipment and not underneath.

3.2. Mains connection

The XLAs are supplied with alternating current at 230 V, 47 / 63 Hz, and include fuses to protect against possible overloads. In order to protect the power amplifier from eventual power consumption overloads it is protected by a set of internal fuses. Should a fuse blow, it must be replaced immediately by one with identical rating. Should it blow again please contact our Technical Service Department. NEVER REPLACE THE FUSE WITH ANOTHER ONE WITH A HIGHER VALUE.

The mains cables must not be near the shielded cables carrying the audio signal, as this could cause humming.

3.3. Input signal connections

The input connectors for the balanced signal are of the XLR-3 and 1/4" JACK type (11, 13). The assignment is as follows:

		XLR-3	JACK
Hot or direct signal	>	Pin 2	Tip
Cold or phase inverted signal	>	Pin 3	Ring
Ground	>	Pin 1	Sleeve

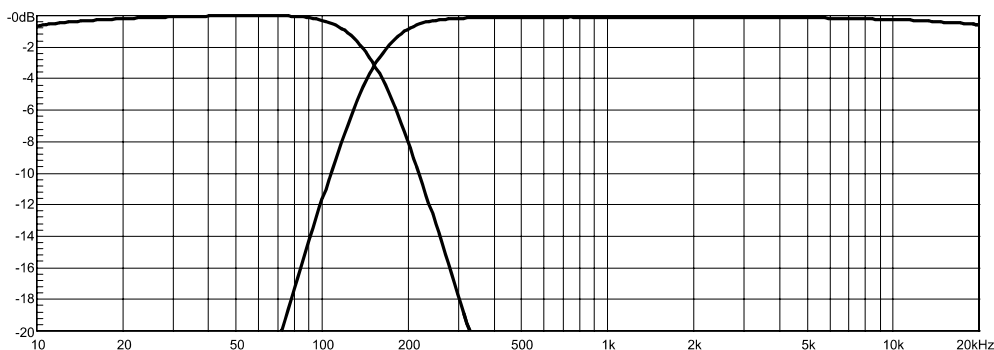
For an unbalanced connection, short pin 3 to ground (XLR) or the ring to ground (Jack).

The input impedance in balanced mode is 20kΩ (10kΩ non-balanced). This impedance makes possible to parallel several amplifiers without losing audio quality. Input sensitivity can be selected via a switch placed on the back panel (14) Selectable values are 26, 32dB

3.4. Cut filter or crossover

The integrated cut filter has the function of dividing the input signal into two frequency bands. When it is activated, channel 1 receives and amplifies the frequency band between 20 Hz and 150 Hz, whereas channel 2 does the same for the frequency band between 150 Hz and 20 kHz. The slope of the cut filter between the two bands, at 150Hz, is 18 dB / octave.

This function is useful for connecting a two-way loudspeaker system to a single XLA amplifier. If the playback is in stereo, then it will be necessary to use one XLA amplifier for the left signal and another one for the right signal, whereby each XLA amplifier operates with the low frequencies in channel 1 and the high frequencies in channel 2.



The LED indicator “XOVER” on the front panel lights up when this function is activated via the switch on the rear panel (15).

3.5. Limiter circuit

This provides additional protection and is always activated on amplifiers in the XLA series. This “ANTICLIP” circuit constantly analyzes the harmonic distortion produced by the excessive clipping of the signal in the amplifier output, and reduces the input level automatically to keep the level of distortion below 0.5% approximately.

The clear advantage of a limiting system in front of conventional compressors is that the former does practically not alter the dynamic range, acting only when the distortion threshold is reached.

3.6. Output connections

See diagram 6.1. for output connection possibilities.

The output section on the rear panel features both Speakon® connectors (18) and threaded connection posts (17).

If you need to operate the amplifier in BRIDGED mode, you should place the “MODE” (16) switch in BRIDGE position. Input signal should be fed into Channel 1 of the amplifier and the output appears at the 2+ and 2- pins of the Speakon® connector and/or at the red connection posts. Before the amplifier is started, it checks that the total impedance of the set of loudspeakers connected to the amplifier (operating in BRIDGE mode) is not lower than 8Ω.

ATTENTION: Terminals 1+ and 1- should only be used in case of “STEREO” or “PARALLEL” mode and terminals 2+ and 2- in “BRIDGED” mode. Any other combination may impair final audio quality

The connection cable that joins the amplifiers outputs and the loudspeakers must be of good quality, sufficient section and as short as possible. This is most important when the distances to cover are long ones i.e. up to 10 meters it is recommended to use a section not inferior to 2.5mm² and for superior distances 4mm².

4. OPERATION AND USAGE

4.1. Start up

When the power-on switch is pressed (10), the blue “ON” LED and the two red “PROTECT” LEDs light up (2). Around 10 seconds later, all of the voltages have already stabilized and the amplifier is operational, so the “PROTECT” LED indicators go off.

In a complete audio installation, it is important to start up the equipment in the following sequence: sound sources, mixer, equalizers, active filters and finally power amplifiers. To turn them off the sequence should follow an inverse pattern.

4.2. Input attenuators

These devices are controlled from the two rotary controls on the front panel (1).

Their function is to adjust the intensity of the signal received by the amplifier from an external signal source connected to INPUT 1 / INPUT 2 by setting it to the maximum listening level desired and/or permitted by the system's loudspeakers.

4.3. Indicators

The XLA amplifiers provide a simple and effective system of indicators:

- “PROTECT” indicators (2): They indicate the absence of a power signal in the loudspeaker output of the amplifier. They may be activated for various reasons:
 1. In the startup period, from when the power-on button is pressed until the startup time necessary to stabilize the internal voltages of the amplifier has been completed (approximately 10 seconds).
 2. Due to the presence of a short-circuit in the output terminals of the amplifier (crossed cable, damaged loudspeaker, etc.).
 3. If the amplifier is supplying a continuous signal or a very low-frequency signal, which could damage the loudspeakers.

CAUTION: If these indicators remain permanently switched on, even when all signal input and output cables have been disconnected from the amplifier, this could be a sign of a malfunction which should be analyzed by the official Ecler technical support service.

- “CLIP” indicators (3): They light up when the amplified signal present in the amplifier output is just below the level of clipping or saturation. This system always provides a true indication, regardless of the variations in the mains voltage. When operating at high power levels, it is normal for the CLIP indicators to light up briefly at the moment of low frequencies, because it is the low frequencies which make the greatest energy contribution in the audible spectrum. You must try to ensure that these indicators do not remain lit up permanently in the normal operating conditions of the amplifier.
- “SIGNAL” indicators (4): They indicate the presence of a signal in the amplifier inputs. These indicators light up when the signal present in the input exceeds the threshold of -40 dB.

5. CLEANING

The front panel should not be cleaned with dissolvent or abrasive substances because silk-printing could be damaged. To clean it, use a soft cloth slightly wet with water and neutral liquid soap; dry it with a clean cloth. Be careful that water never gets into the amplifier through the holes of the front panel.

MANUAL DE INSTRUCCIONES

1. NOTA IMPORTANTE	09
1.1. Precauciones	09
2. INTRODUCCIÓN	09
2.1. Prestaciones	09
3. INSTALACIÓN	10
3.1. Ubicación, montaje, ventilación	10
3.2. Conexión a red	10
3.3. Conexiones de entrada de señal	10
3.4. Filtro de corte o <i>Crossover</i>	10
3.5. Circuito limitador	11
3.6. Conexiones de salida	11
4. FUNCIONAMIENTO	11
4.1. Puesta en marcha	11
4.2. Atenuadores de entrada	11
4.3. Indicadores	12
5. LIMPIEZA	12
6. DIAGRAMAS	23
6.1. Diagrama de conexión	23
6.2. Características técnicas	24
6.3. Diagrama de bloques	25
6.4. Lista de funciones	26
6.5. Diagrama de funciones	27



Todos los datos están sujetos a variación debida a tolerancias de producción. ECLER S.A. se reserva el derecho de realizar cambios o mejoras en la fabricación o diseño que pudieran afectar las especificaciones.

1. NOTA IMPORTANTE

¡Enhorabuena!. Vd. posee el resultado de un cuidadoso diseño y una esmerada fabricación. Agradecemos su confianza por haber elegido nuestro amplificador XLA.

Para que pueda conseguir la máxima operatividad y un funcionamiento perfecto, antes de su conexión es MUY IMPORTANTE que lea detenidamente las consideraciones que se detallan en éste manual.

Para asegurar el óptimo rendimiento del aparato, su mantenimiento debe ser realizado por nuestros Servicios Técnicos.

1.1. Precauciones



La etapa debe conectarse a una toma de tierra en condiciones (resistencia de tierra, $R_g=30\Omega$ o menor).

El ambiente de trabajo deberá ser seco y estar totalmente libre de polvo.

No exponga el aparato a la caída de agua o salpicaduras, no ponga encima objetos con líquido ni fuentes de llama desnuda, como velas.

No obstruya los orificios de ventilación con ningún tipo de material.

En caso de requerir alguna intervención y/o conexión-desconexión del amplificador debe desconectarse previamente la alimentación.

No manipular los terminales de salida hacia el altavoz con la etapa en marcha; se hallan presentes tensiones de hasta 200 Vpp.

El cableado de la salida debe ser realizado por personal técnico cualificado o emplear cables flexibles ya preparados.

En el interior del amplificador no existen elementos manipulables por el usuario.

2. INTRODUCCIÓN

La línea de amplificadores XLA ofrece la clásica y reconocida fiabilidad profesional de los amplificadores Ecler bajo una nueva estética y a un coste asequible. Está compuesta por 3 modelos estéreo de 320, 500 y 760 WRMS por canal sobre 4Ω . Todos los modelos ocupan 2 unidades rack de altura y están montados en un robusto chasis. Gracias a su fuente de alimentación sobredimensionada el amplificador puede trabajar confortablemente con cargas de 4Ω .

Los XLA incorporan entradas balanceadas mediante conectores XLR3 y jack de $\frac{1}{4}$ ", y entradas no balanceadas mediante conectores RCA. Sus salidas ofrecen una total versatilidad gracias al doble formato utilizado: conectores tipo bornas de seguridad con distancia normalizada y conectores Speakon®. Integran también un sistema electrónico de limitación para evitar recortes por saturación de señal y un práctico filtro de corte o *crossover* conmutable, el cual permite que un único amplificador entregue las señales graves y agudas de un sistema de altavoces mono de doble vía (un amplificador XLA por cada lado para una configuración estéreo).

2.1. Prestaciones

- Efectivo sistema de ventilación progresiva, con caudal adaptable a la temperatura interna del amplificador. Toma el aire de la parte trasera y se expulsa frontalmente.
- Controles rotativos de atenuación de entrada en panel frontal, fácilmente accesibles.
- Indicadores de encendido y reposo (POWER ON, STBY), presencia de señal (SIGNAL), recorte (CLIP), modo de trabajo (BRIDGE), activación de *Crossover* (XOVER) y activación de protecciones (PROTECT).
- Efectivo sistema de protecciones contra cortocircuito, sobrecalentamiento y presencia de señal continua, para evitar daños al propio amplificador y/o a los altavoces conectados a él.
- Circuito *anticlip* (recorte o saturación de la señal) incorporado, siempre activo.
- Selector de modo de trabajo: STEREO, PARALLEL y BRIDGE.
- Selector de sensibilidad de entrada.
- Entradas simétricas mediante conectores XLR3, y jack estéreo 6,35 mm. Entradas asimétricas mediante conectores RCA.
- Salidas amplificadas con conectores tipo borna y conectores Speakon®.
- Funcionamiento a 8, y 4Ω , ó 8Ω en modo puente.
- Garantía: 2 años.

3. INSTALACIÓN

3.1. Ubicación, montaje, ventilación.

Los amplificadores XLA se presentan en formato rack de 19" y dos unidades de altura.

Es muy importante que, como elemento generador de calor que es, el amplificador no esté completamente encerrado ni expuesto a temperaturas extremas. El sistema de ventilación forzada que incorporan toma el aire de la parte trasera, dirigiéndolo directamente a los módulos de potencia y desviando una parte hacia el transformador y condensadores, obligándolo a salir a través del túnel de refrigeración por la parte frontal del amplificador. Por ello debe favorecerse el paso de aire fresco a través del túnel de ventilación forzada, evitando en el caso de montaje en rack una excesiva acumulación de calor en el interior de éste que incrementaría las probabilidades de avería prematura de alguno de sus componentes electrónicos. Asimismo, es aconsejable no colocar los amplificadores de potencia debajo de otros aparatos, sino encima de éstos, para favorecer la disipación térmica del conjunto.

3.2. Conexión a red

Las XLA se alimentan con corriente alterna de 230V, 47 / 63Hz e incorporan fusibles de protección frente a eventuales sobrecargas de consumo. En el caso de fundirse alguno de estos fusibles, debe obligatoriamente ser reemplazado por otro de idénticas características. De volverse a fundir inmediatamente después de ser reemplazado, consulte con nuestro Servicio Técnico. EN NINGÚN CASO DEBE PONERSE UN FUSIBLE DE VALOR MÁS ELEVADO.

Debe evitarse que el cable de red discorra y se entremezcle con los cables blindados que transportan la señal de audio, ya que ello podría ocasionar zumbidos e inducción de ruidos audibles indeseados.

3.3. Conexiones de entrada de señal

Los conectores de entrada de señal balanceada son del tipo XLR-3 y JACK ¼", (11, 13). La asignación es la siguiente:

		XLR-3	JACK
Vivo o señal directa	>	Terminal 2	Punta
Frío o señal invertida	>	Terminal 3	Anillo
Masa	>	Terminal 1	Cuerpo

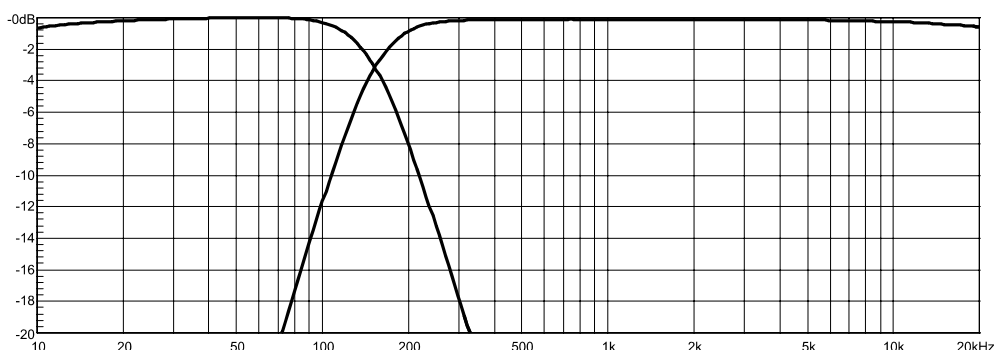
Para conexiones NO balanceadas cortocircuitar a masa el terminal 3 del XLR o el anillo en el JACK.

La impedancia de entrada en modo balanceado es de 20kΩ (10kΩ no balanceado), lo que le permite conectar un gran número de etapas en paralelo sin merma de la calidad sonora. La sensibilidad es seleccionable mediante un conmutador situado en el panel posterior (14) entre 26 y 32dB.

3.4. Filtro de corte o *Crossover*

El filtro de corte incorporado efectúa la función de división de la señal de entrada en dos bandas de frecuencia. Al activarla, el canal 1 recibe y amplifica la banda de frecuencias entre 20 Hz y 150 Hz, mientras que el canal 2 hace lo propio con la banda de frecuencias entre 150 Hz y 20 kHz. La pendiente del filtro de corte entre las dos bandas, a 150Hz, es de 18 dB / octava.

Esta función es útil para la conexión de un sistema de altavoces de dos vías a un único amplificador XLA. Si se trata de una reproducción estéreo, será preciso emplear un amplificador XLA para la señal izquierda y otro para la derecha, cada uno de ellos trabajando con las frecuencias bajas en el canal 1 y las altas en el 2.



El indicador LED "XOVER" del panel frontal se iluminará cuando esta función se haya activado mediante el conmutador del panel posterior (15).

3.5. Circuito limitador

Se trata de una protección extra, siempre activa en los amplificadores serie XLA. Este circuito "ANTICLIP" analiza constantemente la distorsión armónica producida por el recorte excesivo de la señal a la salida del amplificador, reduciendo automáticamente el nivel de entrada para mantener el nivel de distorsión por debajo del 0,5%, aproximadamente.

La ventaja de éste sistema frente a los compresores clásicos es que el comportamiento dinámico de la señal apenas se ve alterado, dado que actúa sólo cuando se supera el umbral de distorsión definido.

3.6. Conexiones de salida

Ver las posibilidades de conexión en el diagrama 6.1.

La sección OUTPUT del panel posterior está provista de conectores Speakon® (18) y terminales tipo borna, atornillables (17).

Cuando se desee utilizar el amplificador en modo puente (BRIDGE), deberá posicionarse el conmutador "MODE" (16) en posición BRIDGE. La conexión de señal de entrada se realizará a través del conector del canal 1 y la salida hacia el altavoz mediante los terminales 2+ y 2- del conector Speakon® "CH1" y/o de los terminales atornillables rojos. Compruebe, previo a la puesta en marcha del amplificador, que la impedancia global del conjunto de altavoces conectados al amplificador (trabajando en modo BRIDGE) no sea inferior a 8Ω .

ATENCIÓN: Los terminales 1+, 1- deben utilizarse sólo en caso de trabajar en modo "STEREO" o "PARALLEL" y los terminales 2+, 2- en modo "BRIDGED". Otras combinaciones podrían deteriorar la calidad del sonido resultante.

El cable de conexión que une las salidas del amplificador y los altavoces deberá ser de alta calidad, de suficiente sección y menor longitud posible. Esto revierte especial importancia cuando las distancias a cubrir son grandes: hasta 10 metros se recomienda una sección no inferior a 2.5 mm^2 , y no inferior a 4 mm^2 para distancias superiores.

4. FUNCIONAMIENTO

4.1. Puesta en marcha

Accionando el interruptor de puesta en marcha (10) se ilumina el LED azul "ON" y los dos LED rojos "PROTECT" (2). Unos 10 segundos después, todas las tensiones ya se han estabilizado y el amplificador es operativo, apagándose los indicadores "PROTECT".

En una instalación completa de audio es importante poner en marcha el equipo de acuerdo con la siguiente secuencia: fuentes de sonido, mezclador, ecualizadores, filtros activos y finalmente los amplificadores de potencia. Para pararlos, la secuencia debe seguirse a la inversa.

4.2. Atenuadores de entrada

Estos dispositivos se gobiernan desde los dos controles rotativos situados en el panel frontal (1).

Su función es la de ajustar la intensidad de la señal que recibe el amplificador desde una fuente externa de señal conectada a INPUT 1 / INPUT 2, adecuándola al nivel máximo de escucha deseado y/o admitido por los altavoces del sistema.

4.3. Indicadores

Los amplificadores XLA equipan un simple y eficaz sistema de indicaciones:

- Indicadores “PROTECT” (2): Señalan la ausencia de señal de potencia en la salida de altavoces del amplificador. Pueden activarse por diferentes motivos:
 1. En el intervalo de puesta en marcha, desde que se pulsa el botón de encendido y hasta que finaliza el tiempo de arranque necesario para la estabilización de las tensiones internas del amplificador (10 segundos aproximadamente).
 2. Por la presencia de un cortocircuito en bornes de salida del amplificador (cable cruzado, altavoz dañado, etc.).
 3. Si el amplificador está entregando señal continua o de muy baja frecuencia que pudiera dañar a los altavoces.

ATENCIÓN: En caso de encenderse permanentemente estos indicadores, aún cuando se hubiesen desconectado del amplificador todos los cables de entrada y salida de señal, podría tratarse de un síntoma de mal funcionamiento que debería analizar el servicio técnico oficial de Ecler.

- Indicadores “CLIP” (3): Se iluminan cuando la señal amplificada presente en la salida del amplificador se encuentra justo por debajo del punto de recorte o saturación. Este sistema proporciona siempre una indicación real, independientemente de las variaciones existentes en la tensión de la red eléctrica. Es normal que trabajando a niveles elevados de potencia los indicadores de CLIP se iluminen brevemente al ritmo de las frecuencias graves, dado que éstas son las que disponen de mayor aporte energético en el espectro audible. Debe procurarse que estos indicadores no queden iluminados de una forma permanente durante el régimen de funcionamiento normal del amplificador.
- Indicadores “SIGNAL” (4): Advierten de la presencia de señal en las entradas del amplificador. Estos indicadores se iluminan cuando la señal presente en la entrada supera un umbral de -40 dB.

5. LIMPIEZA

La carátula no deberá limpiarse con sustancias disolventes o abrasivas, puesto que se corre el riesgo de deteriorar la serigrafía. Para su limpieza se utilizará un trapo humedecido con agua y un detergente líquido neutro, secándola a continuación con un paño limpio. En ningún caso se debe permitir la entrada de agua por cualquiera de los orificios del aparato.

NOTICE D'EMPLOI

1. NOTE IMPORTANTE	14
1.1. Précautions	14
2. INTRODUCTION	14
2.1. Fonctions	14
3. INSTALLATION	15
3.1. Disposition, montage, ventilation	15
3.2. Connexion au secteur	15
3.3. Connexions d'entrée de signal	15
3.4. Filtre coupe ou <i>Crossover</i>	15
3.5. Circuit limiteur	16
3.6. Connexions de sortie	16
4. MISE EN MARCHÉ ET UTILISATION. FONCTIONNEMENT	16
4.1. Mise en marche	16
4.2. Atténuateurs d'entrée	16
4.3. Indicateurs (témoins)	17
5. ENTRETIEN	17
6. SCHÉMAS	23
6.1. Schéma de connexion	23
6.2. Caractéristiques techniques	24
6.3. Blocs de diagrammes	25
6.4. Liste de fonctions	26
6.5. Schéma de fonctionnement	27

ECLER se réserve le droit d'apporter des modifications de toute sorte sur ses produits qui peuvent altérer leurs spécifications.



1. NOTE IMPORTANTE

Félicitations ! Vous avez en votre possession le résultat d'un design et d'une fabrication particulièrement soignée. Nous vous remercions de la confiance que vous nous portez en choisissant notre amplificateur XLA.

Pour obtenir le meilleur résultat de cet appareil, il est important de lire attentivement les instructions ci-dessous avant de le brancher.

Pour obtenir le meilleur rendement de cet appareil, il est important que le entretien se réalise par notre Service Technique Ecler.

1.1. Précautions



L'amplificateur de puissance doit être raccordé à la terre dans les conditions suivantes: Résistance de Terre, $R_g=30\Omega$ ou moins.

L'atmosphère dans laquelle doit fonctionner l'amplificateur doit être sèche et exempte de poussière. Evitez l'humidité et tout contact de liquide avec l'appareil. Ne mettez aucun objet compromettant (liquide, bougies...) au dessus de l'appareil.

Laissez de l'espace devant les orifices de ventilation.

Débrancher l'alimentation avant d'intervenir d'une façon ou d'une autre sur l'amplificateur.

Ne pas toucher aux bornes de sorties des haut-parleurs quand l'amplificateur est en marche, des tensions de jusqu'à 200Vpp sont présentes.

Le câblage de la sortie devra être réalisé par un technicien qualifié ou bien utilisez des câbles déjà tout préparés.

Quant à l'intérieur de l'amplificateur, il n'y a aucun élément à manipuler pour l'utilisateur.

2. INTRODUCTION

La ligne d'amplificateurs XLA offre la fameuse fiabilité professionnelle classique des amplificateurs Ecler avec une nouvelle esthétique et à un coût accessible. Elle est composée de 3 modèles stéréo de 320, 500 et 760 WRMS par canal sur 4 Ω . Tous les modèles occupent 2 unités rack de haut et sont montés sur un châssis robuste. Grâce à sa source d'alimentation surdimensionnée, l'amplificateur peut fonctionner sans problème avec des charges de 4 Ω .

Les XLA comprennent des entrées symétriques au moyen de connecteurs XLR3 et jack de 1/4", et des entrées non symétriques au moyen de connecteurs RCA. Les sorties offrent une totale flexibilité grâce au double format utilisé : connecteurs type bornes de sécurité avec distance normalisée et connecteurs Speakon®. Ils comprennent également un système électronique de limitation pour éviter les découpages par saturation du signal et un filtre de coupe pratique ou *crossover* commutable, ce qui permet à un seul amplificateur d'émettre les signaux graves et aigus d'un système de haut-parleurs mono à double voies (un amplificateur XLA de chaque côté pour une configuration stéréo).

2.1. Fonctions

- Système efficace de ventilation progressive dont le débit augmente en fonction de la température de l'amplificateur. L'air entre dans l'amplificateur par l'arrière et sort par l'avant.
- Contrôles rotatifs d'atténuation d'entrée sur panneau avant, facilement accessibles.
- Indicateurs d'allumage et de repos (POWER ON, STBY), présence de signal (SIGNAL), découpage (CLIP), mode de travail (BRIDGE), activation de *Crossover* (XOVER) et activation de protections (PROTECT).
- Système effectif de protections contre les courts-circuits, surchauffe et présence de signal continu, pour éviter d'endommager l'amplificateur lui-même et/ou les haut-parleurs qui y sont connectés.
- Circuit *anticlip* (découpage ou saturation du signal) intégré, toujours actif.
- Sélecteur de mode de travail : STEREO, PARALLELE et BRIDGE.
- Sélecteur de sensibilité d'entrée.
- Entrées symétriques au moyen de connecteurs XLR3, et jack stéréo 6,35 mm Entrées asymétriques au moyen de connecteurs RCA.
- Sorties amplifiées avec connecteurs type borne et connecteurs Speakon®.
- Fonctionnement à 8 et 4 Ω , ou 8 Ω en mode pont.
- Garantie : 2 ans.

3. INSTALLATION

3.1. Disposition, montage, ventilation.

Les amplificateurs XLA se présentent en module rack de 19" de deux unités de hauteur.

Il est très important qu'en tant qu'élément générateur de chaleur, l'amplificateur ne soit pas complètement enfermé ni exposé à des températures extrêmes. Ce système prend l'air de la partie arrière, le dirigeant directement sur les modules de puissance et en déviant une partie pour le transformateur et les condensateurs, le forçant à sortir au travers du tunnel de refroidissement par la partie frontale de l'amplificateur, pour qu'il favorise le passage de l'air frais par le tunnel de ventilation forcée, évitant, en cas de montage en rack, une accumulation excessive de chaleur à l'intérieur de celui-ci et allongeant la durée de vie des condensateurs électrolytiques. Il est aussi conseillé de ne pas placer les amplificateurs de puissance sous d'autres appareils, mais au dessus de ceux-ci.

3.2. Connexion au secteur

Les XLA sont alimentés par du courant alternatif de 230 V, 47 / 63 Hz et comprennent des fusibles de protection face à d'éventuelles surcharges de consommation. Afin de protéger l'étage d'éventuelles surcharges électriques, des fusibles intérieurs ont été prévus. En cas de fonte d'un de ces fusibles, vous devez obligatoirement le remplacer par un autre, de caractéristiques identiques. En cas de nouvelle fonte, consultez notre service technique. **EN AUCUN CAS VOUS NE DEVEZ METTRE UN FUSIBLE DE VALEUR PLUS ELEVEE.**

Éviter de mêler les cordons secteur et les cordons audio, ceci peut provoquer des ronflements.

3.3. Connexions d'entrée de signal

Les connecteurs d'entrée de signal symétrique sont du type XLR-3 et JACK ¼", (11, 13). L'assignation est la suivante :

		XLR-3	JACK
Point chaud ou signal direct	>	Broche 2	Pointe (extrémité)
Point froid ou signal inversé	>	Broche 3	Bague (anneau)
Masse	>	Broche 1	Corps (manchon)

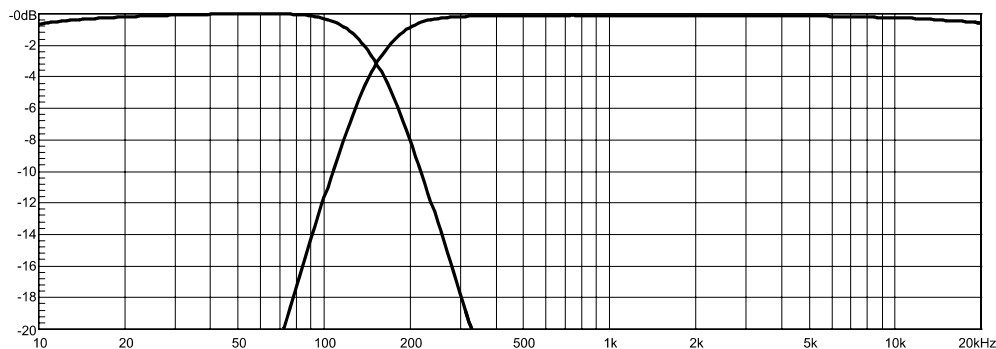
Pour une connexion ASYMETRIQUE, reliez la masse et la broche 3 de la XLR ou la bague du JACK.

L'impédance d'entrée en mode symétrique est de 20kΩ (10kΩ asymétrique), ce qui permet de connecter un grand nombre d'étages en parallèle sans perte de qualité sonore. La sensibilité se règle au moyen d'un commutateur situé en face arrière (14) entre 26 et 32dB.

3.4. Filtre coupe ou Crossover

Le filtre de coupe intégré effectue la fonction de division du signal d'entrée en deux bandes de fréquence. En l'activant, le canal 1 reçoit et amplifie la bande de fréquences entre 20 Hz et 150 Hz, alors que le canal 2 le fait avec la bande de fréquences entre 150 Hz et 20 kHz. La pente du filtre de coupe entre les deux bandes, à 150 Hz, est de 18 dB / octave.

Cette fonction est utile pour la connexion d'un système de haut-parleurs à deux voies à un seul amplificateur XLA. S'il s'agit d'une reproduction stéréo, il sera indispensable d'utiliser un amplificateur XLA pour le signal gauche et un autre pour le signal droit, chacun d'eux fonctionnant avec les fréquences basses sur le canal 1 et les hautes sur le 2.



L'indicateur LED "XOVER" du panneau avant s'allumera lorsque cette fonction aura été activée par le commutateur du panneau arrière (15).

3.5. Circuit limiteur

Il s'agit d'une protection extra, toujours active sur les amplificateurs série XLA. Ce circuit « ANTICLIP » analyse constamment la distorsion harmonique produite par le découpage excessif du signal à la sortie de l'amplificateur, en réduisant automatiquement le niveau d'entrée pour maintenir le niveau de distorsion sous les 0,5% environ.

L'avantage de ce système face aux compresseurs classiques est que le comportement dynamique du signal est à peine altéré, étant donné qu'il agit seulement lorsque le seuil de distorsion défini est dépassé.

3.6. Connexions de sortie

Voir les possibilités de connexion dans le schéma 6.1.

La section OUTPUT (sortie) de la face arrière est dotée de connecteurs Speakon® (18) et de borniers à vis (17).

Pour connecter l'amplificateur en mode de fonctionnement BRIDGE (mono ou ponté), vous devez placer le commutateur "MODE" (16) en position BRIDGE. La connexion d'entrée du signal se fait par le connecteur du canal 1 et la sortie pour les enceintes par les broches 2+ et 2- du connecteur Speakon® "CH1" et/ou par les borniers à vis rouges. Vérifiez, avant la mise en marche de l'amplificateur, que l'impédance globale de l'ensemble des haut-parleurs connectés à l'amplificateur (fonctionnant en mode BRIDGE) n'est pas inférieure à 8 Ω.

ATTENTION Les broches 1+,1- ne doivent être utilisées qu'en cas de "STEREO ou PARALLELE" et les broches 2+,2- en "BRIDGE". Toute autre combinaison pourrait détériorer la qualité finale du son.

Le câble de raccordement de l'amplificateur sur les enceintes doit être de bonne qualité et de section suffisante surtout s'il existe une distance importante entre les amplificateurs et les haut-parleurs. Il est recommandé d'utiliser du câble d'une section minimum de 2.5mm² pour distances jusqu'à 10m et de 4mm² pour les distances supérieures.

4. MISE EN MARCHÉ ET UTILISATION. FONCTIONNEMENT

4.1. Mise en marche.

En actionnant l'interrupteur de mise en marche (10) le LED bleu « ON » s'allume ainsi que les deux LED rouges « PROTECT » (2). Environ 10 secondes plus tard, toutes les tensions se sont déjà stabilisées et l'amplificateur est opérationnel, les indicateurs « PROTECT » s'éteignant.

Dans une installation audio, il est important de mettre sous tension les appareils dans le sens suivant: Sources, table de mixage, effets, filtres actifs et amplificateurs de puissance. Pour l'extinction, procéder à l'envers en commençant par les amplificateurs.

4.2. Atténuateurs d'entrée

Ces dispositifs sont gérés depuis les deux contrôles rotatifs situés sur le panneau avant (1).

Leur fonction est de régler l'intensité du signal que l'amplificateur reçoit depuis une source externe de signal connectée à INPUT 1 / INPUT 2, en l'adaptant au niveau maximum d'écoute souhaitée et / ou admis par les haut-parleurs du système.

4.3. Indicateurs (témoins)

Les amplificateurs XLA équipent un système d'indications simple et efficace :

- Indicateurs « PROTECT » (2) : ils signalent l'absence de signal de puissance à la sortie des haut-parleurs de l'amplificateur. Ils peuvent être activés pour des motifs différents :
 1. Dans l'intervalle de mise en marche, à partir du moment où l'on appuie sur le bouton d'allumage et jusqu'à ce que se termine le temps de démarrage nécessaire à la stabilisation des tensions internes de l'amplificateur (environ 10 secondes).
 2. Par la présence d'un court-circuit sur les bornes de sortie de l'amplificateur (câble croisé, haut-parleur endommagé, etc.)
 3. Si l'amplificateur émet un signal continu ou de très basse fréquence qui pourrait endommager les haut-parleurs.

ATTENTION : Si ces indicateurs s'allument de façon permanente, même lorsque tous les câbles d'entrée et de sortie de signal sont déconnectés de l'amplificateur, il pourrait s'agir d'un symptôme de mauvais fonctionnement que devrait analyser le service technique officiel d'Ecler.

- Indicateurs « CLIP » (3) : Ils s'allument lorsque le signal amplifié présent à la sortie de l'amplificateur se trouve juste en dessous du point de découpage ou de saturation. Ce système offre toujours une indication réelle, indépendamment des variations de la tension d'alimentation. Il est normal qu'en travaillant à des niveaux de puissance élevés les indicateurs de CLIP s'allument brièvement au rythme des fréquences graves, étant donné que celles-ci disposent du plus grand apport énergétique dans le spectre audible. On doit faire en sorte que ces indicateurs ne restent pas allumés de façon permanente pendant le régime de fonctionnement normal de l'amplificateur.
- Indicateurs « SIGNAL » (4) : Ils avertissent de la présence de signal aux entrées de l'amplificateur. Ces indicateurs s'allument quand le signal présent en entrée a un niveau supérieur à -40dB .

5. ENTRETIEN

Il est interdit d'utiliser des substances dissolvantes ou abrasives pour nettoyer la face avant, celles-ci détériorant la sérigraphie. Nettoyer uniquement avec un chiffon humide. Attention! Jamais de l'eau ou tout autre liquide ne doit pénétrer par les orifices du panneau de commande.

BEDIENUNGSANLEITUNG

1. WICHTIGE VORBEMERKUNG	19
1.1. Vorsichtsmaßnahmen	19
2. EINFÜHRUNG	19
2.1. Wichtigste Merkmale	19
3. INSTALLATION	20
3.1. Aufstellung, Einbau, Kühlung	20
3.2. Netzanschluß	20
3.3. Anschluß der Signaleingänge	20
3.4. Cut- oder Crossover-Filter	20
3.5. Limiterschaltung	21
3.6. Ausgangsanschlüsse	21
4. INBETRIEBNAHME	21
4.1. Inbetriebnahme	21
4.2. Eingangsregler	21
4.3. Statusanzeigen	22
5. REINIGUNG	22
6. DIAGRAMME	23
6.1. Anschlußdiagramm	23
6.2. Technische daten	24
6.3. Blockschaltbild	25
6.4. Funktionsliste	26
6.5. Funktionsübersicht	27

Alle Angaben sind ohne Gewähr. Messwerte können produktionsbedingten Schwankungen unterliegen. ECLER S.A. nimmt sich das Recht heraus Veränderungen am Gerät vorzunehmen, die zur Verbesserung des Produktes beitragen.



1. WICHTIGE VORBEMERKUNG

Herzlichen Glückwunsch! Sie haben ein hervorragendes Gerät erworben, das mit großer Sorgfalt entwickelt und hergestellt wurde. Wir danken Ihnen für das Vertrauen, daß Sie sich für unseren XLA.

Um die maximale Leistung und eine zuverlässige Funktion zu erreichen, ist es sehr wichtig, vor dem Anschluß dieses Verstärkers alle Ausführungen in dieser Bedienungsanleitung genau zu lesen.

Um die optimale Funktion dieses Gerätes sicherzustellen, sollten etwaige Reparaturen nur von unserer technischen Serviceabteilung durchgeführt werden.

1.1. Vorsichtsmaßnahmen



Der Verstärker sollte eine gute Erdungsverbindung besitzen (Erdungswiderstand, $R_g=30\Omega$ oder weniger).

Der Arbeitsbereich, in dem das Gerät aufgestellt wird, sollte trocken und möglichst staubfrei sein.

Es darf kein Regen oder andere Flüssigkeiten in das Gerät gelangen. Stellen Sie niemals Flüssigkeitsbehälter oder flammende Gegenstände wie z.B. Kerzen auf die Gerätoberfläche.

Bedecken Sie in keinem Fall die Lüftungsschächte oder verhindern Sie die Frischluftzufuhr.

Beim Ab- oder Anschluß von Leitungen ist es sehr wichtig, vorher die Stromversorgung des Verstärkers auszuschalten.

Berühren Sie nicht die Ausgangsanschlüsse zu den Lautsprechern, wenn der Verstärker eingeschaltet ist, da Spannungen über 200Vpp auftreten.

Für den Anschluß der Ausgangskabel an die Lautsprecher sollte ausschließlich ein qualifizierter Techniker zuständig sein. Sie können jedoch auch vorgefertigte Kabel benutzen.

Im Inneren der Endstufe befinden sich keine für den Benutzer gedachte Bedienelemente.

2. EINFÜHRUNG

Die Verstärkerlinie XLA bietet die bereits klassische und bekannte Zuverlässigkeit der professionellen Endstufen von Ecler im stilistisch neuen Gewand und zu einem erschwinglichen Preis. Sie umfasst 3 Stereomodelle mit 320, 500 und 760 W RMS pro Kanal an 4Ω . Alle Modelle sind 2 Rack-Einheiten hoch und in einem robusten Gehäuse untergebracht. Dank des großzügig dimensionierten Netzteils kann diese Endstufe problemlos mit 4Ω -Lasten betrieben werden.

Die XLAs besitzen symmetrische Eingänge durch XLR3-Anschlüsse und $\frac{1}{4}$ " Jack-Buchsen sowie unsymmetrischen Eingänge über RCA-Anschlüsse. Die Ausgänge sind dank des verwendeten doppelten Formats außerordentlich vielfältig, da sie über sichere Schraubklemmen und über Speakon®-Buchsen verfügen. Des Weiteren sind ein elektronisches Limiting-System zur Vermeidung von Signalübersteuerungen sowie ein praktischer zuschaltbarer Cut- oder Crossover-Filter an Bord, der es ermöglicht, dass ein einziger Verstärker die Signale des Hoch- und Tieftonbereichs einer Mono-Lautsprecheranlage mit Zwei-Kanal-System (ein XLA-Verstärker auf jeder Seite für eine Stereo-Einstellung) weiterleitet.

2.1. Wichtigste Merkmale

- Wirksames progressives Kühlsystem, dessen Luftstrom an die Innentemperatur des Verstärkers angepasst werden kann. Die Luft wird auf der Rückseite angesaugt und an der Frontplatte abgeführt.
- Leicht bedienbare Dreh-Pegelregler an der Vorderseite des Geräts.
- Anzeigen für Betrieb und Standby (POWER ON, STBY), Signalanwesenheit (SIGNAL), Übersteuerung (CLIP), Betriebsweise (BRIDGE), Crossover-Aktivierung (XOVER) und Aktivierung der Schutzschaltung (PROTECT).
- Wirksamer Schutz gegen Kurzschluss, Überhitzung und Anwesenheit von kontinuierlichem Signal, um Schäden an der Endstufe selbst bzw. an den angeschlossenen Lautsprechern zu verhindern.
- Stets einsatzbereiter Clip-Limiter (Signalüberlastung oder Signalübersteuerung) an Bord.
- Schaltbare Betriebsmodi: STEREO, PARALLEL und BRIDGE.
- Schaltbare Eingangsempfindlichkeit.
- Symmetrische Eingänge durch XLR3-Anschlüsse und 6,35 mm Jack-Stereobuchsen. Unsymmetrische Eingänge über RCA-Anschlüsse.
- Verstärkerausgänge mit Schraubklemmen und Speakon®-Buchsen.
- Betrieb mit 8 und 4Ω oder 8Ω Lasten im Brückenbetrieb.
- Garantie: 2 Jahre.

3. INSTALLATION

3.1. Aufstellung, Einbau, Kühlung

Die XLA-Endstufen besitzen ein 19" Rackeinbau-Gehäuse und sind 2 Höheneinheiten hoch.

Da der Verstärker selbst Verlustwärme erzeugt, darf er keinen hohen Temperaturen ausgesetzt oder vollständig eingebaut werden. Dieses System nimmt frische Luft an der Rückseite des Geräts, dirigiert den Luftstrom direkt an die Endstufenblocks, den Transformator und die Elkos und zwingt den Luftstrom durch den Lüfterkanal, bis dieser die Endstufe an der Vorderseite zu verlassen. Frische Luft muß immer durch den Lüfterkanal strömen können, d.h. im Fall eines Einbaus in ein Rack muß die Luftzufuhr sichergestellt werden, da dies zudem die Lebenszeit der Elkos wesentlich verlängert. Weiterhin ist es zur Sicherstellung des Wärmeaustausches ratsam, den Verstärker nicht unter anderen Geräten zu plazieren, sondern möglichst obenauf.

3.2. Netzanschluß

Die XLA-Verstärker werden mit Wechselspannung von 230 V, 47 / 63 Hz betrieben und sind mit Sicherungen zum Schutz vor möglichen Verbrauchsüberlastungen versehen. Um den Verstärker vor einer eventuellen Überbelastung zu schützen, sind etliche Sicherungen eingebaut. Sollte eine Sicherung durchbrennen, muß sie durch eine mit identischen Werten ersetzt werden. Bei wiederholtem Durchbrennen wenden Sie sich bitte an unsere technische Serviceabteilung. ERSETZEN SIE NIE EINE SICHERUNG DURCH EINE HÖHEREN WERTES.

Das Netzkabel darf nicht in der Nähe von den abgeschirmten signalführenden Audioleitungen verlegt werden, da dies die Induktion von unerwünschten Geräuschen und Brummschleifen verursachen könnte.

3.3 Anschluß der Signaleingänge

Die Signaleingänge sind symmetrische XLR3-Anschlüsse und ¼" Jack-Buchsen (11, 13). Die Pinbelegung ist wie folgt:

		XLR-3	Jack
Direktes Signal, + Phase	>	Pin 2	Spitze
Invertiertes Signal, - Phase	>	Pin 3	Ring
Masse	>	Pin 1	Mantel

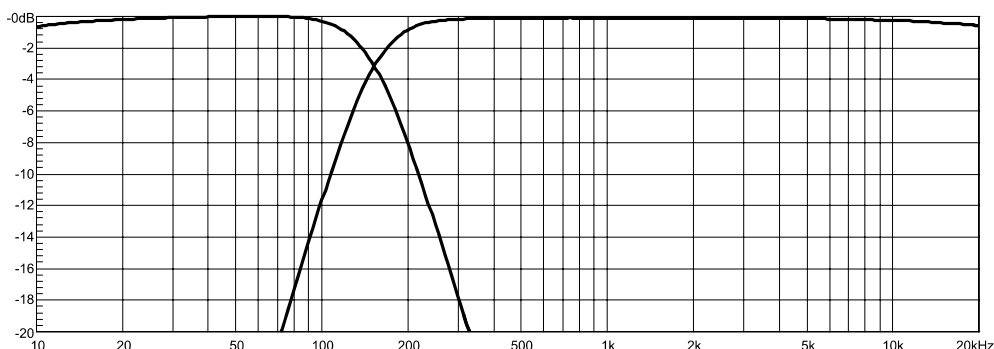
Für einen NICHT symmetrierten Betrieb, schließen Sie die Masse an Pin 3 des XLR-3 Steckers oder an den Ring des Jacks an.

Die Eingangsimpedanz im symmetrischen Betrieb beträgt 20kΩ (10kΩ nicht symmetriert) Diese hohe Eingangsimpedanz erlaubt einen parallelen Betrieb mehrerer Verstärker ohne Einbußen der Soundqualität. Die Nenneingangsempfindlichkeit ist mittels einem an der Rückseite plazierten Schalters (14) selektierbar (26, 32dB)

3.4. Cut- oder Crossover-Filter

Der eingebaute Cut-Filter sorgt für die Teilung des Eingangssignals in zwei Frequenzbandbereiche. Beim Einschalten erhält und verstärkt Kanal 1 den Frequenzbandbereich zwischen 20 Hz und 150 Hz, während Kanal 2 das gleiche für den Frequenzbandbereich zwischen 150 Hz und 20 kHz übernimmt. Die Flankensteigung des Cut-Filters zwischen den beiden Bandbreiten bei 150 Hz beträgt 18 dB / Oktave.

Dank dieser Funktion kann eine Zwei-Kanal-Lautsprecheranlage an einen einzigen XLA-Verstärker angeschlossen werden. Im Falle einer Stereowiedergabe ist ein XLA-Verstärker für das linke sowie ein weiterer für das rechte Signal erforderlich, wobei jeder Verstärker mit den niedrigen Frequenzen auf Kanal 1 und den hohen Frequenzen auf Kanal 2 arbeitet.



Die LED-Anzeige "XOVER" auf der Vorderseite leuchtet auf, wenn diese Funktion über den Schalter auf der Rückseite (15) eingeschaltet wurde.

3.5. Limiterschaltung

Hierbei handelt es sich um eine zusätzliche, immer einsatzbereite Schutzschaltung in allen Verstärkern der XLA-Serie. Diese ANTICLIP-Schaltung überwacht permanent die harmonische Verzerrung, die am Ausgang durch eine exzessive Signalaussteuerung erzeugt wird, und reduziert automatisch die Eingangsempfindlichkeit, damit die Verzerrung einen Faktor von etwa 0,5 % nicht überschreitet.

Der Vorteil dieses Systems gegenüber herkömmlichen Kompressoren liegt darin, dass das dynamische Signalverhalten praktisch nicht verändert wird, da nur dann ein Eingreifen erfolgt, wenn der festgelegte Schwellwert der Verzerrung erreicht wird.

3.6. Ausgangsanschlüsse

Die verschiedenen Möglichkeiten, Lautsprecher an die Ausgänge anzuschließen, zeigen sich in Diagramm 6.1.

Der Ausgangsbereich, der sich an der Rückseite der Endstufe befindet, verfügt über Speakon®-Buchsen (18) und Schraubklemmen (17).

Wenn Sie die Endstufe im Mono-Brückenbetrieb betreiben wollen, müssen Sie als erstes den MODE-Schalter (16) auf BRIDGE stellen. Das Eingangssignal muß an Kanal 1 eingespeist werden, und das Ausgangssignal steht an Anschlüssen 2+ und 2- der Speakon®-Buchse und/oder an beiden roten Schraubklemmen zur Verfügung. Vor der Inbetriebnahme des Verstärkers ist zu überprüfen, dass die Gesamtimpedanz aller an den Verstärker angeschlossenen Laufsprecher (im Modus BRIDGE) nicht unter 8Ω liegt.

ACHTUNG: Die Anschlüsse 1+ und 1-, sollten nur im „STEREO“ oder „PARALLEL“- Modus benutzt werden. Anschlüsse 2+ und 2- ausschließlich im Mono-Brückenbetrieb „BRIDGE“. Andere Kombinationen können zu mangelnder Audioqualität führen.

Das Anschlußkabel für die Verbindung der Lautsprecher mit den Ausgängen des Verstärkers sollte von guter Qualität, ausreichendem Durchmesser und so kurz als möglich sein. Besonders bei langen Distanzen, d.h. bis zu 10 Meter, sollten Sie Leitungsdurchmesser nicht unter $2,5\text{mm}^2$ und für weitere Entfernungen 4mm^2 verwenden.

4. INBETRIEBNAHME

4.1. Inbetriebnahme

Beim Drücken des Einschalters (10) leuchten die blaue LED "ON" sowie die beiden roten LED "PROTECT" (2) auf. Nach etwa 10 Sekunden haben sich alle Spannungen stabilisiert, der Verstärker ist betriebsbereit und die Leuchtanzeigen "PROTECT" erlöschen.

In einer kompletten Audio -Installation ist es wichtig, die einzelnen Geräte in folgender Reihenfolge einzuschalten: Signalquellen, Mixer, Equalizer, aktive Filter und schließlich die Endverstärker. Um die Geräte auszuschalten, verfahren Sie in umgekehrter Reihenfolge.

4.2. Eingangsregler

Diese Einrichtungen werden über die beiden auf der Frontplatte (1) befindlichen Drehschalter geregelt.

Ihre Funktion umfasst die Anpassung der Stärke des Signals, das die Endstufe von einer externen und an INPUT 1 / INPUT 2 angeschlossenen Signalquelle erhält, sowie die Einstellung auf die gewünschte bzw. zulässige maximale Lautstärke der Lautsprecheranlage.

4.3. Statusanzeigen

Alle XLA-Endstufen verfügen über einfach lesbare, jedoch hocheffektive Statusanzeigen:

- Anzeigen "PROTECT" (2): Zeigen die Abwesenheit des Schutzsignals an den Lautsprecheraustritten der Endstufe an. Sie können aus verschiedenen Gründen ausgelöst werden:
 1. Während des Zeitintervalls der Inbetriebnahme, vom Drücken des Einschalters bis zum Ablauf des Startzeitraums, der für die Stabilisierung der internen Spannungen der Endstufe (etwa 10 Sekunden) notwendig ist.
 2. Durch Auftreten eines Kurzschlusses an den Ausgangsklemmen der Endstufe (kurz geschlossene Kabel, beschädigter Lautsprecher usw.).
 3. Wenn die Endstufe ein kontinuierliches oder sehr niederfrequentes Signal an die Lautsprecher sendet, wodurch diese beschädigt werden könnten.

ACHTUNG: Wenn diese Anzeigen permanent aufleuchten, auch wenn alle Ein- und Ausgangskabel von der Endstufe getrennt worden sind, könnte dies ein Anzeichen eines Fehlbetriebs sein, der vom technischen Kundendienst von Ecler untersucht werden sollte.

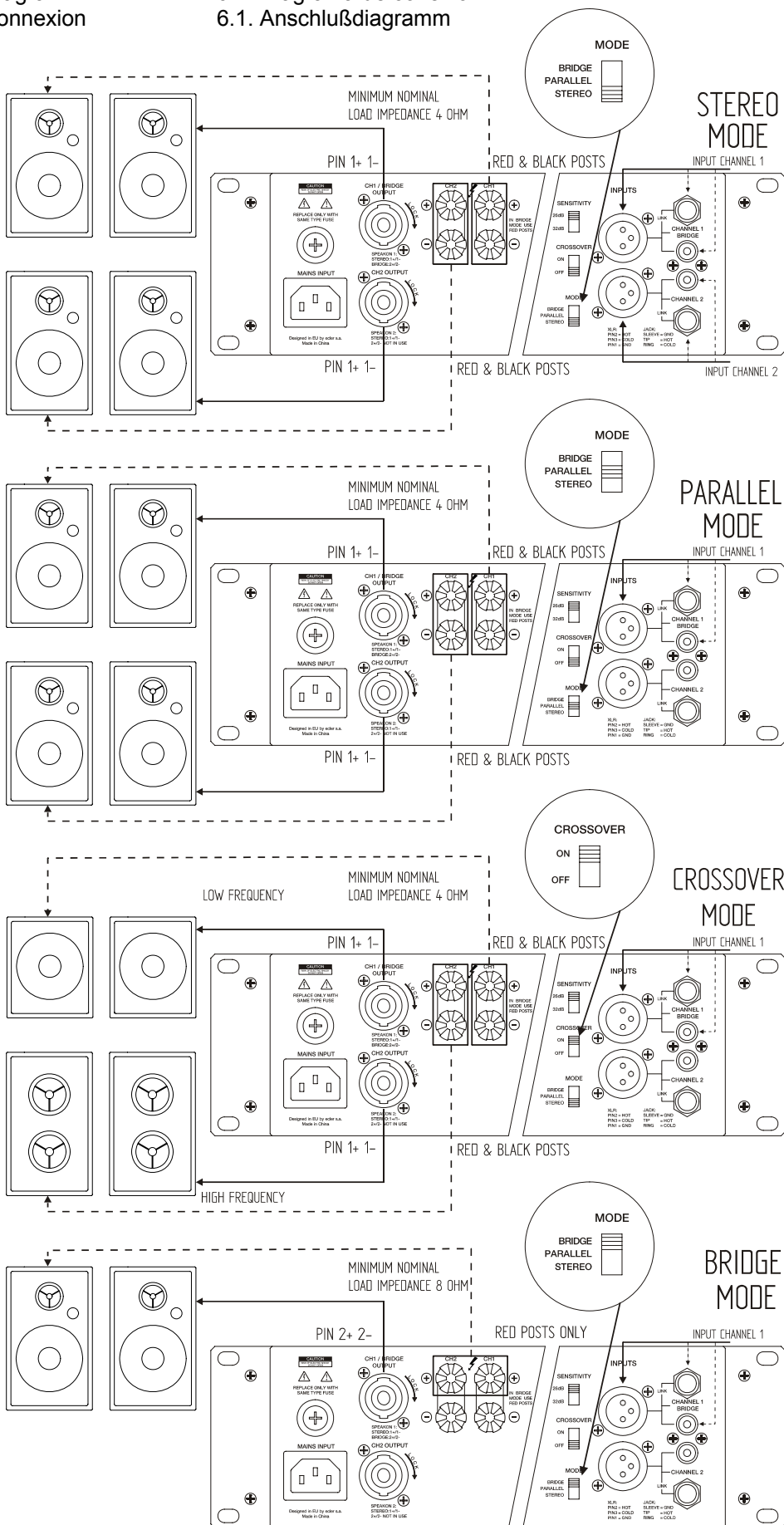
- Anzeigen "CLIP" (3): Sie leuchten auf, wenn das verstärkte Signal am Ausgang der Endstufe knapp unter dem Punkt der Signalüberlastung oder Signalübersteuerung liegt. Das System bietet stets eine tatsächliche Angabe, unabhängig von den bestehenden Spannungsschwankungen der Stromversorgung. Es ist normal, dass die CLIP-Anzeigen beim Betrieb mit hohen Ausgangsleistungen kurz im Rhythmus der tiefen Frequenzen aufleuchten, da diese über den größten Energieanteil des Audiospektrums verfügen. Es ist jedoch sicherzustellen, dass diese Anzeigen während des Normalbetriebs der Endstufe nicht permanent aufleuchten.
- Anzeigen "SIGNAL" (4): Zeigen das Vorhandensein des Signals an den Eingängen der Endstufe an. Diese Anzeigen leuchten auf, wenn das am Eingang vorliegende Signal einen Wert von -40 dB überschreitet.

5. REINIGUNG

Die Frontplatte darf nicht mit Lösungsmittelhaltigen oder scheuernden Substanzen gereinigt werden, da hierbei die Oberfläche beschädigt werden könnte. Verwenden Sie zur Reinigung der Frontplatte ein feuchtes Tuch und etwas milde Seifenlauge. Trocknen Sie danach die Oberfläche sorgfältig ab. Lassen Sie niemals Wasser in die Öffnungen der Frontplatte gelangen.

6. DIAGRAMS
6. SCHÉMAS

6.1. Connection diagram
6.1. Schéma de connexion



6. DIAGRAMAS
6. DIAGRAMME

6.1. Diagrama de conexión
6.1. Anschlußdiagramm

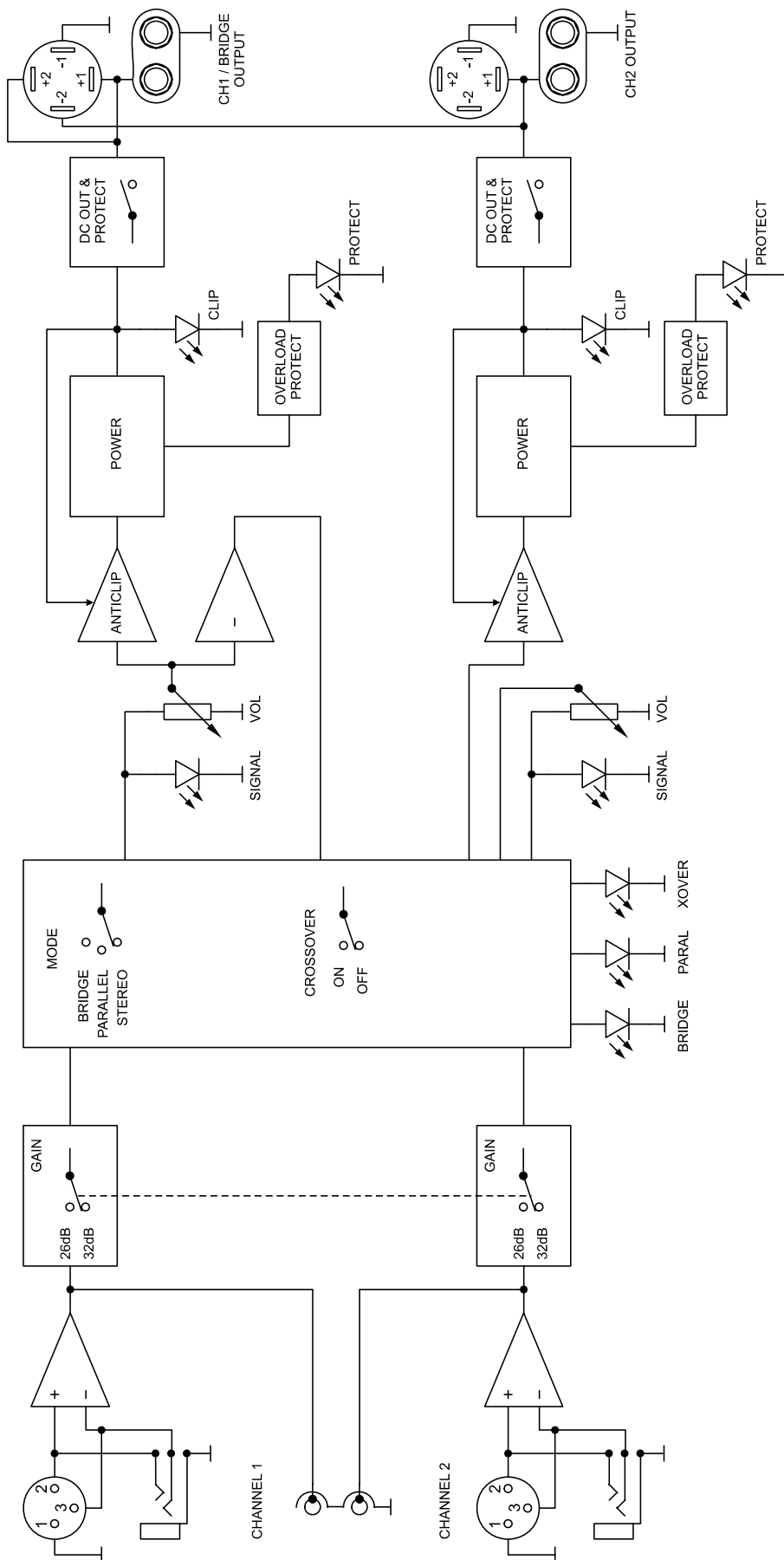
6.2. Technical characteristics
6.2. Caractéristiques techniques

6.2. Características técnicas
6.2. Technische daten

	XLA500	XLA1000	XLA1600
POWER 20-20kHz 1% THD			
4Ω Stereo	320 WRMS	500 WRMS	760 WRMS
8Ω Stereo	210 WRMS	330 WRMS	450 WRMS
8Ω Bridged	640 WRMS	1000 WRMS	1520 WRMS
Frequency response (-1dB/-3dB)	10Hz/58kHz	10Hz/58kHz	10Hz/52kHz
Crossover filter (-3dB) (CH1=LOW, CH2=HIGH)		150Hz/18dB oct.	
THD+Noise @ 1kHz Full Pwr.	<0.1%	<0.05%	<0.1%
S+N/N 20Hz-20kHz @ 1W/4Ω		>85dB	
Damping factor 1kHz @ 8Ω		>270	
Slew Rate	±37V/μs	±43V/μs	±30V/μs
Input connectors	XLR3 & ¼" Jack balanced & RCA		
Input Sensitivity / Impedance	26/32dB/20kΩ Bal. 10kΩ Unbal		
Signal present indicator	-40dB		
Output connectors	Speakon & Binding Posts		
Mains	230V 50/60Hz.		
Power consumption (pink noise, 1/8 power @ 4ohm)	670VA	1040VA	600VA
Power consumption (pink noise, 1/3 power @ 4ohm)	1000VA	1580VA	1840VA
Dimensions	482.6x304x88mm	482.6x360x88mm	482.6x360x88mm
Weight	5.62kg	6.85kg	9.2kg

6.3. Block diagram
6.3. Blocs de diagrammes

6.3. Diagrama de bloques
6.3. Blockschatbild



6.4. Function list

1. Input attenuator
2. Protection indicator, PROTECT
3. Clip indicator, CLIP
4. Signal present indicator, SIGNAL
5. Led indicator, PARAL
6. Led indicator, XOVER
7. Led indicator, BRIDGE
8. Led indicator, ON
9. Led indicator, STBY
10. On switch
11. Input ¼" JACK connector
12. Input RCA connector
13. Input XLR connector
14. Input level selector, SENSITIVITY
15. Filter switch, CROSSOVER
16. Operating mode switch, MODE
17. Output terminals
18. Speakon® connectors to the loudspeakers
19. Fuse holder
20. Mains socket (except XLA1600)

6.4. Liste de fonctions

1. Atténuateurs d'entrée
2. Indicateur de protection, PROTECT
3. Voyant d'écèlement, CLIP
4. Indicateur de présence du signal, SIGNAL
5. Indicateur lumineux, PARAL
6. Indicateur lumineux, XOVER
7. Indicateur lumineux, BRIDGE
8. Indicateur lumineux, ON
9. Indicateur lumineux, STBY
10. Interrupteur de mise en marche
11. Connecteur JACK 1/4" en entrée
12. Connecteur cinch (RCA) d'entrée
13. Connecteur XLR en entrée
14. Sélecteur de niveau d'entrée, SENSITIVITY
15. Commutateur de filtre, CROSSOVER
16. Sélecteur de mode, MODE
17. Bornier dévissable de sortie
18. Embases "Speakon®" pour les haut-parleurs
19. Porte-fusibles
20. Embase secteur (sauf XLA1600)

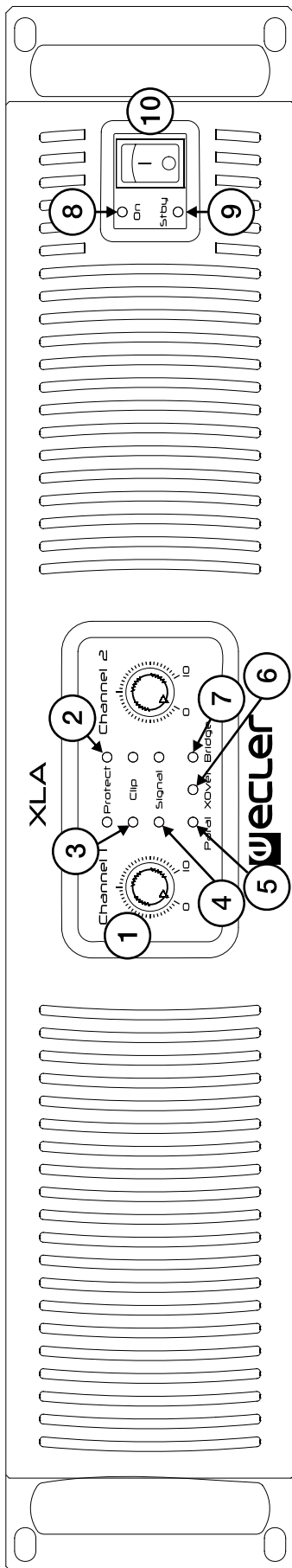
6.4. Lista de funciones

1. Atenuador de entrada
2. Indicador de funcionamiento de protecciones, PROTECT
3. Indicador de recorte, CLIP
4. Indicador de presencia de señal en la entrada, SIGNAL
5. Indicador luminoso, PARAL
6. Indicador luminoso, XOVER
7. Indicador luminoso, BRIDGE
8. Indicador luminoso, ON
9. Indicador luminoso, STBY
10. Interruptor de puesta en marcha
11. Conector JACK ¼" de entrada
12. Conector RCA de entrada
13. Conector XLR de entrada
14. Selector de nivel de entrada, SENSITIVITY
15. Conmutador de filtro, CROSSOVER
16. Selector de modo, MODE
17. Terminales atornillables de conexión a los altavoces
18. Conector "Speakon®" de conexión a los altavoces
19. Portafusible
20. Base de red (excepto XLA1600)

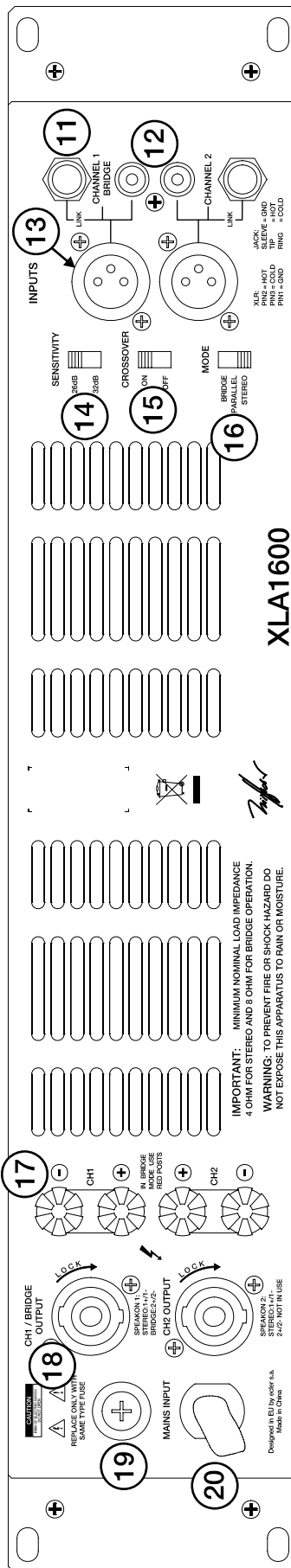
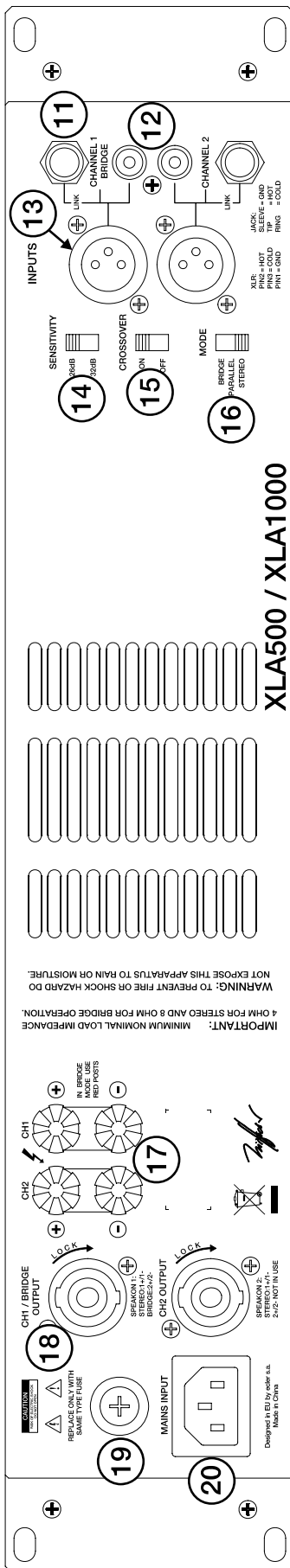
6.4. Funktionsliste

1. Eingangsregler
2. Schutzanzeige, PROTECT
3. Clip Anzeige, CLIP
4. Signalanzeige, SIGNAL
5. Kontroll-LED, PARAL
6. Kontroll-LED, XOVER
7. Kontroll-LED, BRIDGE
8. Kontroll-LED, ON
9. Kontroll-LED, STBY
10. Hauptschalter
11. Eingangsbuchse Klinke 6,3 mm
12. Signaleingang mit RCA Anschluss
13. Eingangsbuchse XLR
14. Eingangsempfindlichkeit, SENSITIVITY
15. Schalter für Filteraktivierung, CROSSOVER
16. Betriebsart-Schalter, MODE
17. Schraubklemmen für Ausgang
18. Ausgangsbuchsen zu den Lautsprechern
19. Sicherungshalter
20. Netzanschlußbuchse (mit Ausnahme von XLA1600)

6.5. Function diagram
6.5. Schéma de fonctionnement



6.5. Diagrama de funciones
6.5. Funktionsübersicht





ECLER Laboratorio de electro-acústica S.A.
Motors 166-168, 08038 Barcelona, Spain
INTERNET <http://www.ecler.com> E-mail: info@ecler.es